

TER-IP digital Temperature Switch

FEATURES

- ✓ 304 stainless steel shell, IP65 structural design
- ✓ Double-stage rotation structure, quickly adjust the screen orientation
- ✓ OLED screen design, wide viewing angle range and high resolution
- ✓ Multiple output modes optional: 4~20mA, PNP/NPN switchable dual-channel alarm lights
- ✓ Multi-function button design

ter-ip is a digital temperature switch with an OLED screen suitable for temperature measurement environments. The product is designed with a 304 stainless steel case and a plastic case head. The protection capability can reach IP65. This product can be used in harsh environments.

This product is equipped with a double-section rotating structure that can adjust the screen orientation to ensure that customers can obtain good viewing angles in different installation positions.

This pressure switch is equipped with multiple function buttons. Users can quickly set hysteresis value, upper and lower limit settings, hysteresis mode/window mode and other functions. Equipped with a standard 5-core M12 aviation plug line (1 meter), users can directly replace the old mechanical switch.

APPLICATION

- ◇ Machine tool drive monitoring
- ◇ Automated production line
- ◇ High speed train
- ◇ Hydraulic equipment
- ◇ Automatic control equipment
- ◇ Other occasions to replace mechanical pressure switches

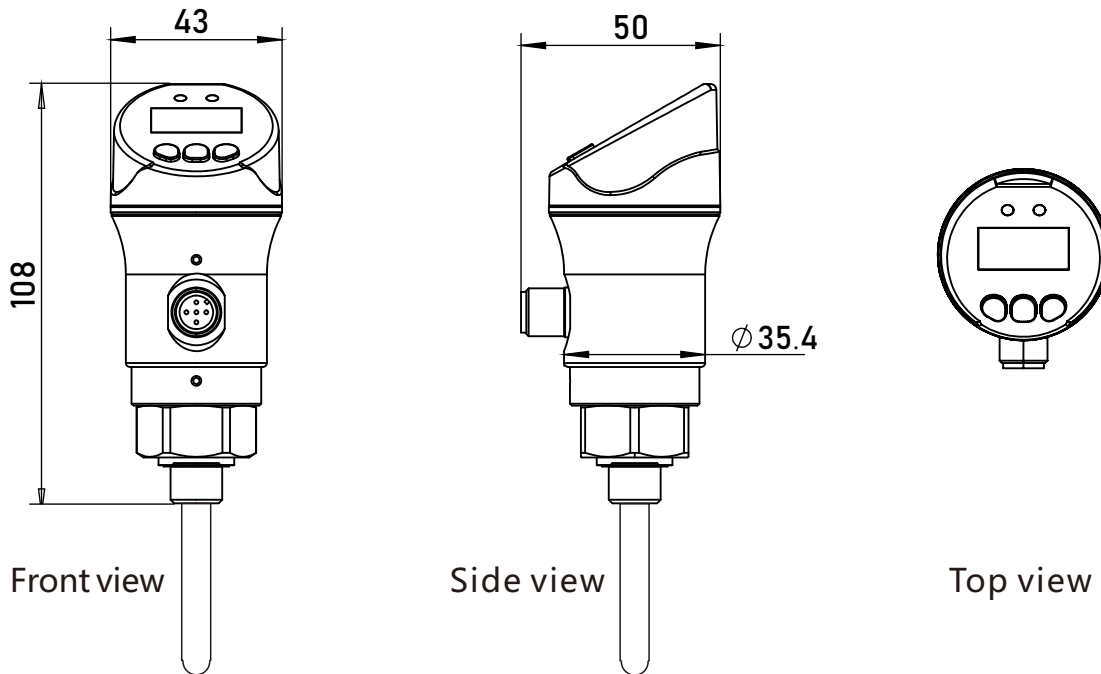
TECHNICAL PARAMETERS

Measuring range	50~300°C (-50~100°C, 0~200°C)
Accuracy level	±0.5%FS
Screen display mode	OLED
Screen Resolution	128*64
Supply voltage	12~28V
output signal	Output 1: NPN or PNP (switchable) Output 2: NPN or PNP (switchable) Other outputs: 4~20mA
Load current	≤100mA
Operating temperature	(-20~65)°C
Electrical connections	M12 plug
Electrical protection	Anti-reverse connection protection, anti-electromagnetic interference
Threaded port	M20x1.5, G1/4, NPT1/4 or customized thread
Interface material	304 stainless steel
Diaphragm material	316L stainless steel
Protection level	IP65
Accessories	M12 standard 5-core 12-pin cable (1 meter)



DIMENSION

UNIT:mm



TER-IP — (-50~300)°C — 2DO — 4 — 1 — N2 — 24 — 6 — X — F10									
Model	Range	Switching output	Other outputs	Accuracy	Mounting thread	powered by	Probe diamete	Probe length	Sheath diameter
TER-IP digital Temperature Switch	(-50~300)°C	2DO (Two sets of switches)	4 (4~20mA outputs)	1 ($\pm 0.5\%$ FS)	M20 (M20*1.5) N2 (NPT1/2) N4 (NPT1/4) G2 (G1/2) G4 (G1/4) D50(D50clamp) (CUSTOMIZED)	24 (12~28 VDC)	6 (6 mm) 8 (8 mm) 10 (10 mm)	X (Xmm Length according to customer's special needs)	F00(No sheath) F10(10MM) F12(12MM) F16(16MM)

Illustrate:

1. There may be product selections that cannot be matched. For details, please log on to the company's website www.sintek.com wend to inquire or consult a technical engineer.
2. The specifications provided in this document represent the technical state at the time of publication, and we reserve the right to make changes to specifications and materials.
3. If the temperature range selection exceeds 100°C, the product will add an extension diameter for main body heat dissipation. "