

## PNEUMATIC ANGLE TYPE INTERCEPTION VALVE PAV 21

### DESCRIPTION

The PAV series angle seat interception valves are designed for steam, gas and other fluids used on the process industry. They are the effective response to fluid interception when flexibility and cost is requested. Connections are female screwed.

### MAIN FEATURES

- Stainless steel body with high coefficient of flow.
- Resistance to corrosion.
- Low air consumption.
- Nylon rotational servo control.
- Self-centring plug with soft sealing.
- Live loading packing gland.

**OPTIONS:** Pilot solenoid valves  
Inductive travel switches

**USE:** Saturated steam, water and other fluids compatible with the construction

**AIR SUPPLY:** 5 bar / 8 bar

**ACTUATOR**

**CONNECTIONS:** PPI-63 G1/8" NPT  
PPI-90 G1/4" NPT

**AVAILABLE**

**MODELS:** PAV 21 - Pneumatic angle valve

**SIZES:** DN 1/2" – DN 2"

**CONNECTIONS:** Threaded ISO

**VALVE LIMITING**

**CONDITIONS:** Body design conditions:  
PN16  
Max. Working temperature: 200 °C  
Min. Working temperature: -10 °C  
Ambient temp. : -10 °C ...+ 80 °C



FLOW RATE COEFFICIENTS						
SIZES						
	DN15	DN20	DN25	DN32	DN40	DN50
<b>Kvs</b>	4,8	9,5	18	23,2	32,7	52,6

MAX. PERMISSIBLE PRESS.DROP IN bar Normally closed valve (fluid to open) Reverse action actuator (air signal to open)							
ACT. Type	AIR PRESSURE	SIZES					
		DN15	DN20	DN25	DN32	DN40	DN50
PPI-63	5 - 8 bar	16	16	14	-	-	-
PPI-90	5 - 8 bar	-	-	-	16	16	10

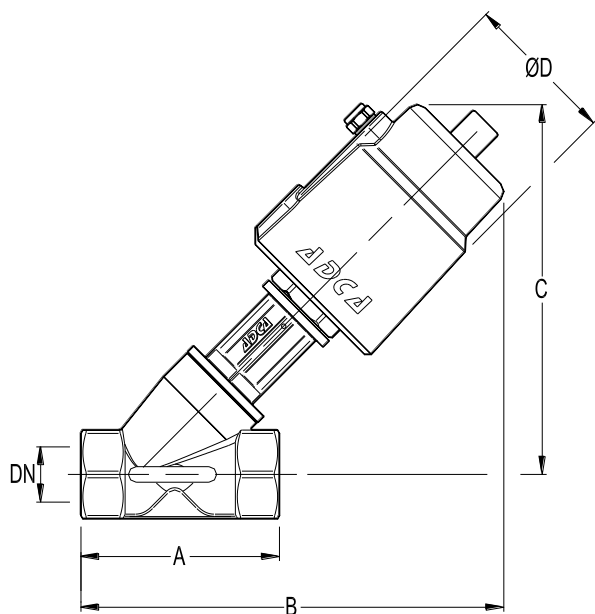
Note: Waterhammer free design.

Kvs in m<sup>3</sup>/h , see data sheet IS PV10.00 E ;  
For conversion Kvs = Cv(US) x 0,855

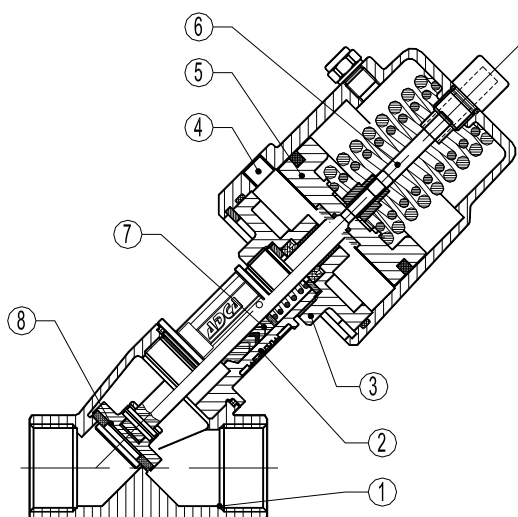
CE MARKING (PED - European Directive 97/23/EC)	
PN 16	Category
DN15 to DN50	SEP - art. 3, paragraph3

MAX. PERMISSIBLE PRESS.DROP IN bar Normally closed valve (fluid to close) Reverse action actuator (air signal to open)							
ACT. Type	AIR PRESSURE	SIZES					
		DN15	DN20	DN25	DN32	DN40	DN50
PPI-63	5 - 8 bar	16	16	16	-	-	-
PPI-63	6 - 8 bar	16	16	16	-	-	-
PPI-63	7 - 8 bar	16	16	16	-	-	-
PPI-90	5 - 8 bar	-	-	-	16	-	-
PPI-90	6 - 8 bar	-	-	-	16	16	-
PPI-90	7 - 8 bar	-	-	-	16	16	16

Note: not recommended when controlling liquids at high speed due to waterhammer occurrence.



DIMENSIONS (mm)								
DN	A	B	C	Ø D	C	Ø D	WHT. Kgs w/PPI63	WHT. Kgs w/PPI90
			Actuator PPI-63		Actuator PPI-90			
15	68	174	155	75	155	110	1,35	2,4
20	75	182	158	75	158	110	1,45	2,5
25	90	190	166	75	166	110	1,65	2,7
32	116	261	227	75	227	110	2,3	3,3
40	116	265	229	75	229	110	2,55	3,5
50	138	282	238	75	238	110	3,6	4,7



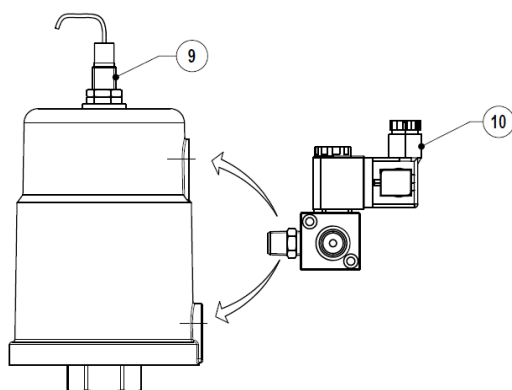
MATERIALS		
POS.	DESIGNATION	MATERIAL
1	Valve Body	CF8M / 1.4408
2	Bonnet	CF8 / 1.4308
3	Actuator Flange	CF8 / 1.4308
4	Actuator Cover	CF8 / 1.4308
5	Piston	Aluminium
6	Indication Stem	Plastic
7	Packing <sup>1)</sup>	PTFE / GR
8	Valve Plug <sup>1)</sup>	1.4401 / PTFE-GR
9	Travel switch <sup>2)</sup>	Metal
10	SV32C selenoid valve <sup>2)</sup>	Aluminium alloy

1) Available spare parts.

2) Optional.

### TRAVEL SWITCH

The travel switch provides an electrical signal that indicates either the open or closed position of the valve. This signal is given by a non-contact electronic inductive proximity sensor.





**ORDERING CODES PAV21**

VALVE CODES		PAV					.X.		
<b>Group Designation</b>									
Pneumatic on-off angle valve		PAV							
<b>Valve Model</b>									
Two way straight design, stainless steel construction			.21						
<b>Valve Plug</b>									
Soft (PTFE/GR) PT Type				1					
<b>Pipe Connection</b>									
Threaded BSP ISO 7/1 Rp					A				
<b>Size</b>									
DN 15						15			
DN 20						20			
...									
<b>Fluid Direction</b>									
Normally closed valve, fluid enter above the seat							A		
Normally closed valve, fluid enter below the seat							B		
<b>Actuator</b>								(1)	
<b>Extras (3)</b>									E

ACTUATOR CODES ( pneumatic )		PI.				
<b>Group Designation</b>						
Piston linear actuator		PI.				
<b>Actuator Size</b>						
Piston pneumatic actuator PPI 63			.63			
Piston pneumatic actuator PPI 90			.90			
<b>Actuator Type</b>						
Direct action (air to close)				.D		
Reverse action (air to open)				.R		
<b>Actuator Construction</b>						
Stainless steel					(2)	

→ To be introduced on ".X.", if supplied in combination with the valve.

- (1)- Indicate actuator type.
- (2)- Omitted if the standard actuator is selected.
- (3)- To be used only when a non-standard combination valve is supplied