

SETM SERIES

EXPLOSION PROOF ELECTRIC ACTUATOR

Performance Parameters

Mode	Max. Output Torque	Operating Time (90°)	Motor Power (F-class)	Rated Current(A) 50Hz		Handle Wheel Turns	Weight
				single-phase	three-phase		
	(N·m)	(S)	(W)	220V	380V	(N)	(kg)
SETM-100	100	18/22	25	0.55	0.15	10	12
SETM-150	150	18/22	40	0.9	0.2	10	12
SETM-200	200	21/25	40	0.9	0.2	11	15
SETM-300	300	21/25	60	1	0.3	11	20
SETM-400	400	26/31	90	1.2	0.4	14	21
SETM-500	500	26/31	90	1.2	0.4	14	21
SETM-600	600	26/31	120	1.9	0.5	14	26
SETM-800	800	26/31	120	1.9	0.5	18	26
SETM-900	900	31/37	180	2.4	0.8	18	27
SETM-1000	1000	31/37	200	2.6	0.9	18	27
SETM-2000	2000	93/112	200	2.6	0.9	50	64
SETM-3000	3000	93/112	200	2.6	0.9	50	64
SETM-4000	4000	155/185	200	2.6	0.9	83	83
SETM-5000	5000	155/185	200	2.6	0.9	83	83

Optional Specifications

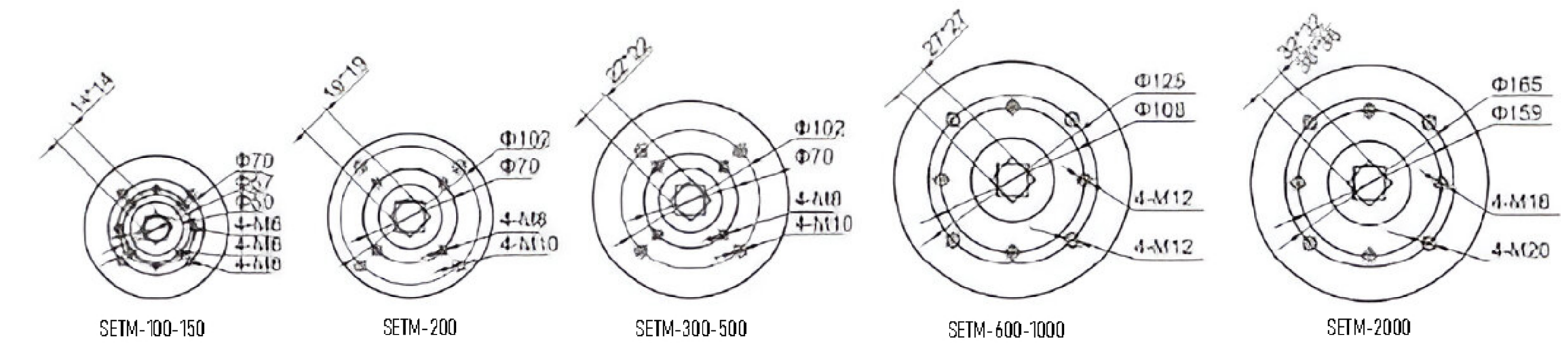
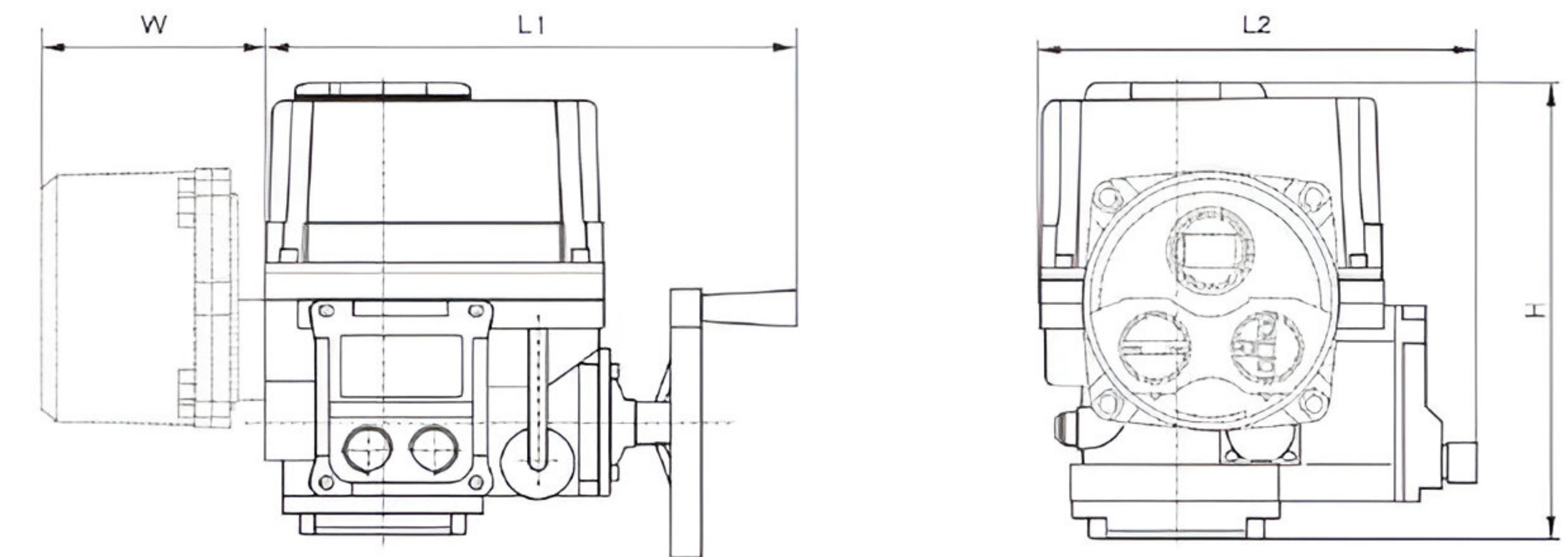
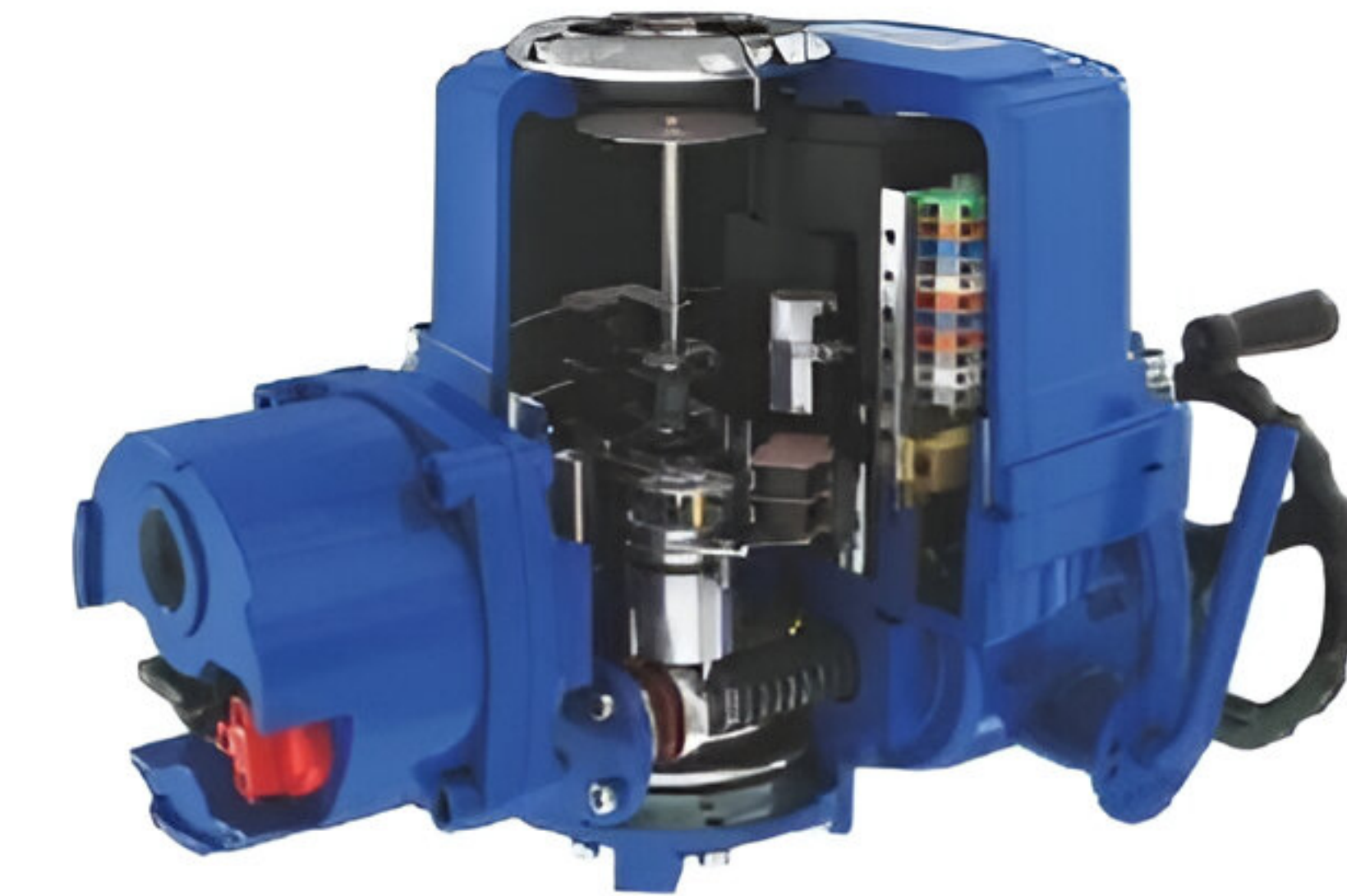
No.	Optional Scheme
1	Explosion-proof Actuator (Exd IIC T4)
2	Water-proof Actuator (IP68, 10M 250HR)
3	Potentiometer Unit (1K-10k)
4	Proportion Control Unit (input/output 4-20mA DC/1-5V/1-10V)
5	Local control units (local control/open/stop/close selector, local/remote switch)
6	Stroke 120°, 180°, 270°
7	Direct current motor (24V DC)
8	Torque switch (2xSPDT 250V AC 10A) (Except SETM-100)
9	Electric current position transfer (Output 4-20mA DC)
10	Power off, the electric valve can open or close automatically
11	High temperature resistance actuator (-10°C to +100°C)
12	Low temperature resistance actuator (-40°C to +70°C)
13	Low speed actuator

SETM SERIES

EXPLOSION PROOF ELECTRIC ACTUATOR

Series Overall and Connection Dimensions

The part of broken line is control box of analog quantity of actuator, ON-OFF type do not have this part and size.



Model	L1	L2	H	W
SETM-100-150	320	220	270	140
SETM-200	355	250	275	140
SETM-300-500	375	290	315	140
SETM-600-1000	400	330	360	140
SETM-2000	400	330	520	140